

AMP AMP Connect

MAIN MENU HELP
FAMILIES REGISTRATION

Alphabetical Picture Part Number
SEARCH SEARCH SEARCH

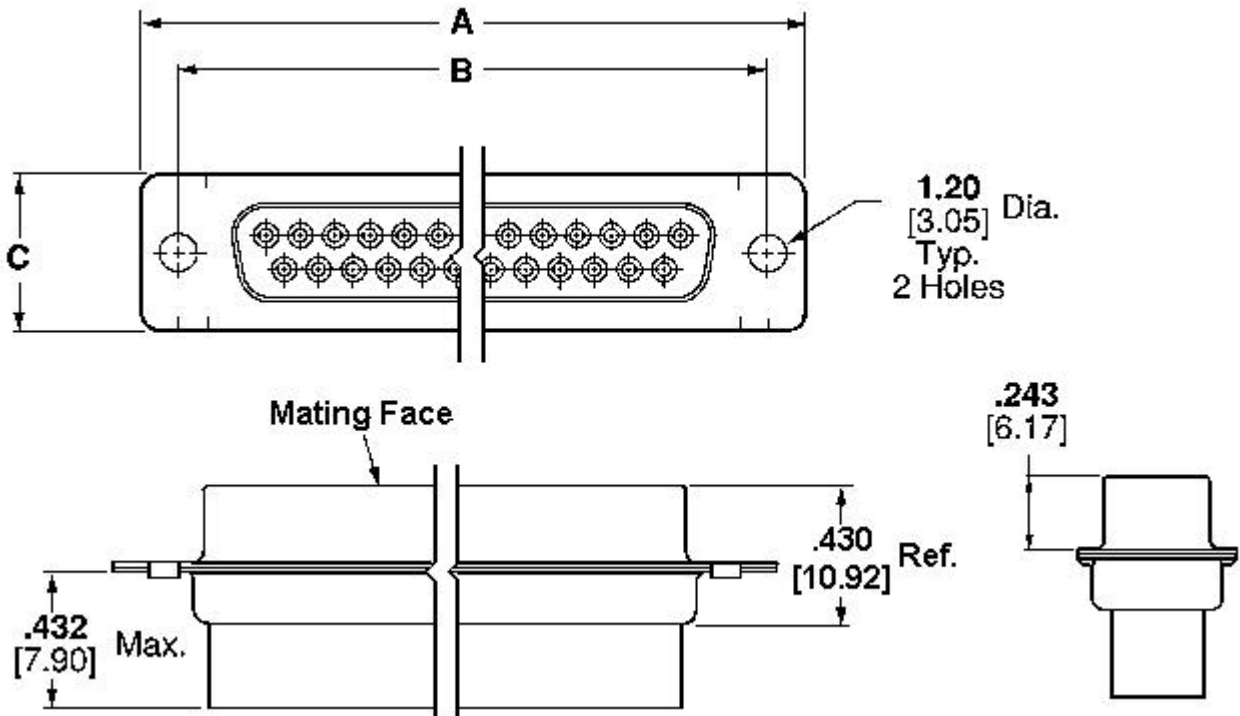
Go To Step Search™ Screen

205203-3 -- 1 of 1 products

AMPLIMITE Subminiature D Connectors
AMPLIMITE Subminiature D Cable Connectors

- General **INFO**
- Sales **INFO**
- Customer Drawings **SPECIFICATIONS**

Please use Customer Drawing or CAD file for design activity; line art and other pictures are general representations of product dimensions.



Line art represents typical product only.

<i>Searchable Features:</i>	
Product Type	Connector
# of Positions	9
Sex	Receptacle
Wire Termination Type	Crimp Snap
Mating Connector Lock	With
Mating Connector Lock Type	Mounting Holes
Shell Size	1
Shell Type	Front Metal Shell
Contact Size	20
Grounding Indents	Without
Product Series	HDP-20
Grade	Standard
<i>Other Properties:</i>	
Dim. A	1.213 [30.81] in. [mm]
Dim. B	.984 [24.99] in. [mm]
Dim. C	.494 [12.55] in. [mm]
Color	Black
Shell Material	Steel
Shell Plating	Tin
Insert Material	Thermoplastic
Insert Flammability Rating	UL 94V-0
Comment	Receptacles accept size 20 DF socket contacts.

[[Main Menu](#) | [Help](#) | [Family Search](#) | [Registration](#) | [Feedback](#)]
[Top of Page](#)